

unregulated

INDUSTRIAL DC/DC Converters High reinforced

6 Watt
 Series: LHVI

Applications:
 - IGBT auxiliary supply
 - medical application

and partial discharge free insulation

EN50178 / EN50124-182 / EN61800-5

Electrical specifications:

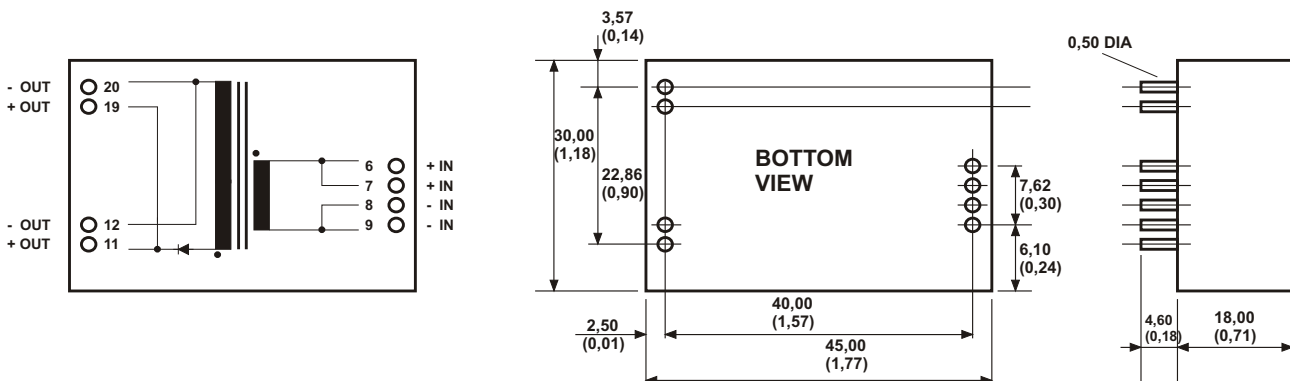
Output voltage accuracy:	unregulated	primary / secondary	
Short circuit protection:	continuous	Insulation test voltage:	insulation test voltage 10 kV
Ambient temperature:	- 40°C to +71°C	Capacitance Prim/Sec:	du/dt...>100kV/μs
Optional:		Part-No.: /2	typ. <15pF
Part-No.: /8	- 55°C to +85°C	Part-No.: /5	partial-discharge 2,3kV AC free (TE-frei)
	ambient temperature		5kV AC discharge free available

add insulation quality specifier to Part-No. e.g. /2

CAUTION: NO INPUT POLARITY CHANGE ALLOWED!

Part-No.	Input Voltage DC	Output Voltage DC	Output current mA	Efficiency
LHVI-05yy	4,75V - 5,5V	3,3 V	1800mA	< 76%
LHVI-12yy	10,8V - 13,2V	5 V	1100mA	< 78%
LHVI-15yy	13,5V - 16,5V	12 V	500mA	< 85%
LHVI-24yy	21,6V - 26,4V	15 V	400mA	< 85%
LHVI-48yy	43,2V - 52,8V	24 V	250mA	< 85%

Any other IN & OUTPUT voltage available !!



additional 220μF input & output capacitors recommended
 ripple & noise depend on load & external capacitors

ALL DIMENSIONS IN MM (INCHES)
 MILLIMETERS +/- 0,5mm
 (INCHES +/- 0,02")
 All pins on a 2,54mm pitch.

Specification may be changed without notice
 please contact office for verification

We can offer EMC - Filter
 according to EN55011/22 Class B.