

RCC Mode converter
 Case style: 2" x 1"

INDUSTRIAL DC/DC Converters

6 Watt
 Series: ERW2

Electrical specifications:

Ambient temperature: -40°C to +71°C
 Operating temperature: max. +115°C
 Input voltage: wide 1:2
 Output voltage accuracy: +/- 3%
 Line regulation: +/- 0,5%
 Load regulation: +/- 1%
 Efficiency: min. 74%

short circuit protection: full protected
 Output Ripple / Noise: typ. 50mV / 250mVp-p
 Insulation test voltage: 1kV AC rms

Input frequency varies along with input voltage
 and load between 300kHz - 600kHz
 Case material: metal
 Part-No.: /5 External -IN & -OUT connection allowed

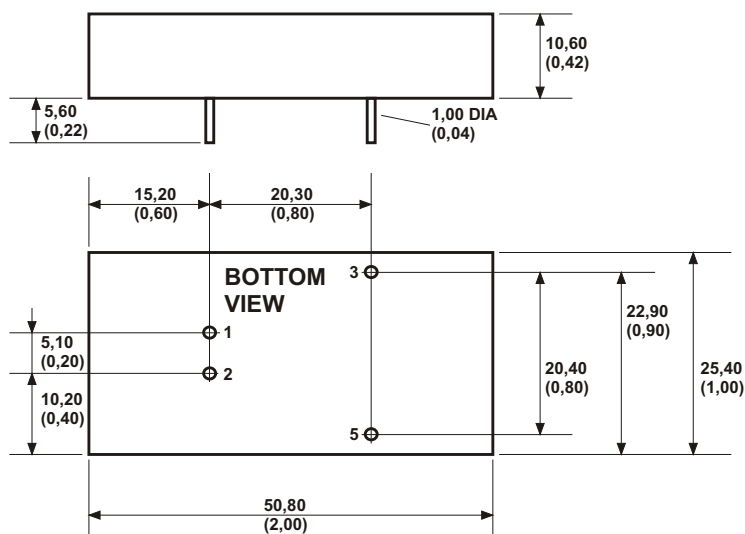
CAUTION: NO INPUT POLARITY CHANGE ALLOWED!

Part - No. Single	Input Voltage	Output Voltage	Output Current
ERW2-8015/5	60-100V	15V	400mA

Any other in & output voltages available.

Output capacitor **330µF/35V is a must**

ground load: **5mA is a must**



PIN	PIN CONNECTION:	
	Single	
1	+ Input	
2	- Input	
3	+ Output	
5	- Output	

ALL DIMENSIONS IN MM (INCHES)
 MILLIMETERS +/- 0,5mm
 (INCHES +/- 0,02")

Specification may be changed without notice
 please contact office for verification

We can offer EMC - Filter
 according to EN55011/22 Class B.