

unregulated

MEDICAL - INDUSTRIAL

DC/DC Converters

6 Watt

Series: MED-LHVI

Applications:
 - IGBT auxiliary supply
 - medical application

EN/UL/CSA 60601-1 & 2

REINFORCED INSULATION

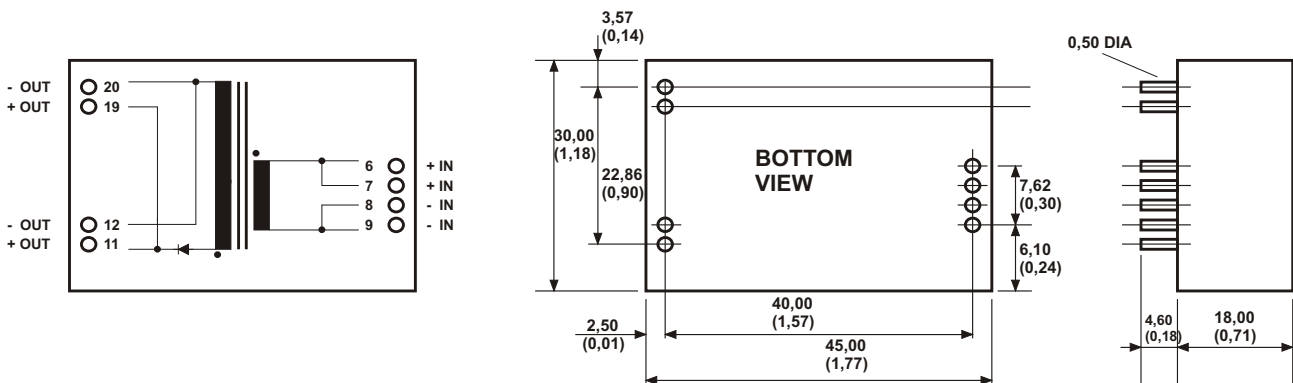
Electrical specifications:

Output voltage accuracy:	unregulated	primary / secondary	
Short circuit protection:	continuous	Insulation test voltage:	4000V AC rms 1 min. type test
Ambient temperature:	- 40°C to +71°C	Insulation:	1500V AC rms partial discharge free
Optional:		primary / secondary	< 10pC
Part-No.: /8	- 55°C to +85°C	Capacitance Prim/Sec:	typ. <15pF
	ambient temperature		

CAUTION: NO INPUT POLARITY CHANGE ALLOWED!

Part-No.	Input Voltage DC	Output Voltage DC	Output current mA	Efficiency
MED-LHVI-05yy	4,75V - 5,5V	3,3 V	1800mA	< 76%
MED-LHVI-12yy	10,8V - 13,2V	5 V	1100mA	< 78%
MED-LHVI-15yy	13,5V - 16,5V	12 V	500mA	< 85%
MED-LHVI-24yy	21,6V - 26,4V	15 V	400mA	< 85%
MED-LHVI-48yy	43,2V - 52,8V	24 V	250mA	< 85%

Any other IN & OUTPUT voltage available !!



additional 220µF input & output capacitors recommended
 ripple & noise depend on load & external capacitors

ALL DIMENSIONS IN MM (INCHES)
 MILLIMETERS +/- 0,5mm
 (INCHES +/- 0,02")
 All pins on a 2,54mm pitch.

Specification may be changed without notice
 please contact office for verification

We can offer EMC - Filter
 according to EN55011/22 Class B.