

## SURGE - Hybrid - Filter

### for industrial AC - Applications 14A Icont.

To meet EN 50 082-2 / IEC 801-4 & 5 = 2kV Burst & 1kV Surge Protection

**Function:** to attenuates (dampen) interference to levels acceptable to the required DC-operation-voltage. With target to fulfill criterion A, of EN 50 082, which means the circuits connected behind the filter have to work properly during interference transitions.

Our AC - Filters have been undertaken tests acc. IEC 801-4/5 symmetric and asymmetric with alternating polarity to the inputs.

Generators: Burst with 5/50ns; Surge with 1,2µs / 50µs - 8/20µs  
 Filter specifications: black ABS housing, epoxy molded ; Protection Class fully isolated

Typ	Linevoltage	Icont	Vsurge ***
AC-Surge-280V-14A	280V	14A	1200V

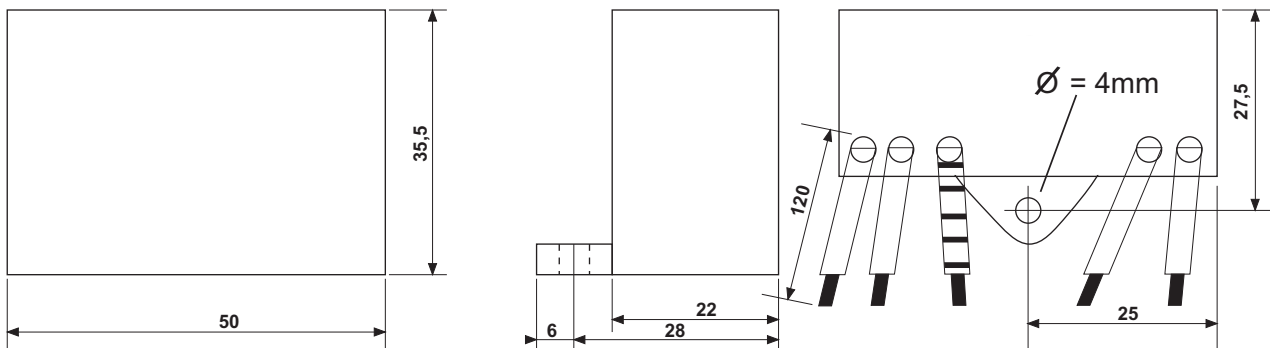
\*\*\* test voltage 4kV Surge clamped, < 20µs for many applications well attenuated.  
 for tougher requirements please call office

Ri/path ohms all items < 0,01 ohms; weight < 90g;  
 connections: colored strained wire appr. L = 120mm, 1,25 qmm

connection wires: red = " + " blue = " - " green/yellow = GND  
 attention: Ground wire is operating GND

Ambient Temperature -55°C up to Toper +110°C  
 Tambient = + 85°C without derating  
 Ipeak = ? (max. operating Temp. to be considered)

### Measurements: case = 1:1



Alle Abmessungen in mm  
 Toleranzen +/- 0,5mm

Specification may be changed without notice  
 please contact office for verification

## SURGE - Hybrid - Filter/P

### for industrial AC - Applications 14A lcont.

To meet EN 50 082-2 / IEC 801-4 & 5 = 2kV Burst & 1kV Surge Protection

**Function:** to attenuates (dampen) interference to levels acceptable to the required DC-operation-voltage. With target to fulfill criterion A, of EN 50 082, which means the circuits connected behind the filter have to work properly during interference transitions.

Our AC - Filters have been undertaken tests acc. IEC 801-4/5 symetric and asyemtric with alternating polarity to the inputs.

**Generators:** Burst with 5/50ns; Surge with 1,2µs / 50µs - 8/20µs  
**Filter specifications:** black ABS housing, epoxy molded ; Protection Class fully isolated

Typ	Linevoltage	lcont	Vsurge ***
AC-Surge-280V-14A/P	280V	14A	1200V

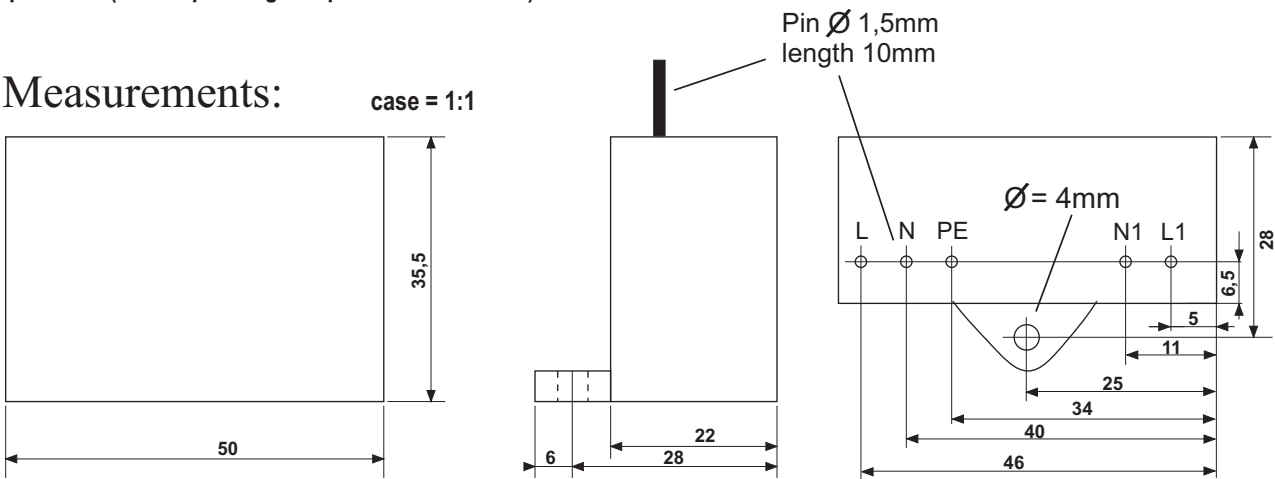
\*\*\* test voltage 4kV Surge clamped, < 20µs for many applications well attenuated.  
 for tougher requirements please call office

Ri/path ohms all items <0,01 ohms; weight <90g;

Ambient Temperature -55°C up to Toper +110°C  
 Tambient = + 85°C without derating  
 lpeak = ? (max. operating Temp. to be considered)

### Measurements:

case = 1:1



Alle Abmessungen in mm  
 Toleranzen +/- 0,5mm

## SURGE - Filter

for asymmetrical industrial clamp-Applications  
 10A Icont.

To meet EN 50 082-2 / IEC 801-4 & 5

Function:

attenuates Surge - Spikes  
 Phase - GND  
 to acceptable, none destructable levels

protect  
 L1 → GND  
 L2 → GND  
 L3 → GND

Our AC - Filters have been undertaken tests acc. IEC 801-4/5 asymmetric with alternating polarity to the inputs.

Generators: Burst with 5/50ns; Surge with 1,2µs / 50µs - 8/20µs Frequenz: DC 400Hz

Filter spezifications: black ABS housing, epoxy molded ; Protection Class fully isolated

Typ	Linevoltage	Vsurge ***
3~AC-ASYM-SURGE	480V +10%	2300V

\*\*\* test voltage 4kV Surge clamped, < 20µs for many applications well attenuated.  
 for tougher requirements please call office

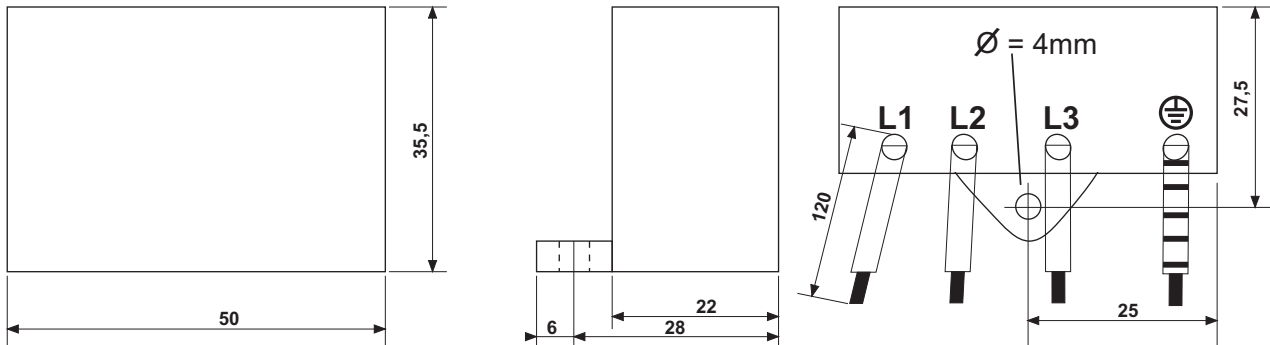
weightt <90g; connections : colored strained wire 1,25 qmm, apr. L > 120 mm

attention: **Ground wire is operating GND !!!**

Tamb: -55°C up to Toper +110°C  
 Tambient = 85°C without derating

Measurements:

case = 1:1



All Dimensions in mm  
 Toleranzen +/- 0,5mm

Specification may be changed without notice  
 please contact office for verification