

BURST & SURGE - Hybrid - Filter/P

Stand 13/09

for industrial AC - Applications 4A Icont.

To meet EN 50 082-2 / IEC 801-4 & 5 = 2kV Burst & 1kV Surge Protection

Function: to attenuates (dampen) interference to levels acceptable to the required DC-operation-voltage. With target to fulfill criterion A, of EN 50 082, which means the circuits connected behind the filter have to work properly during interference transitions.

Our AC - Filters have been undertaken tests acc. IEC 801-4/5 symetric and asymetric with alternating polarity to the inputs.

Generators: Burst with 5/50ns; Surge with 1,2µs / 50µs - 8/20µs

Filter specifications: black ABS housing, epoxy molded ; Protection Class fully isolated

Typ	Linevoltage	Icount	Ipeak	Vburst	Vsurge ***
AC-BS2-280V-4A/P	280V	4,0A	6,0A	10-150V	<1200V

*** Vsurge clamped, < 20µs for many applications well attentuated.
 for tougher requirements please call office

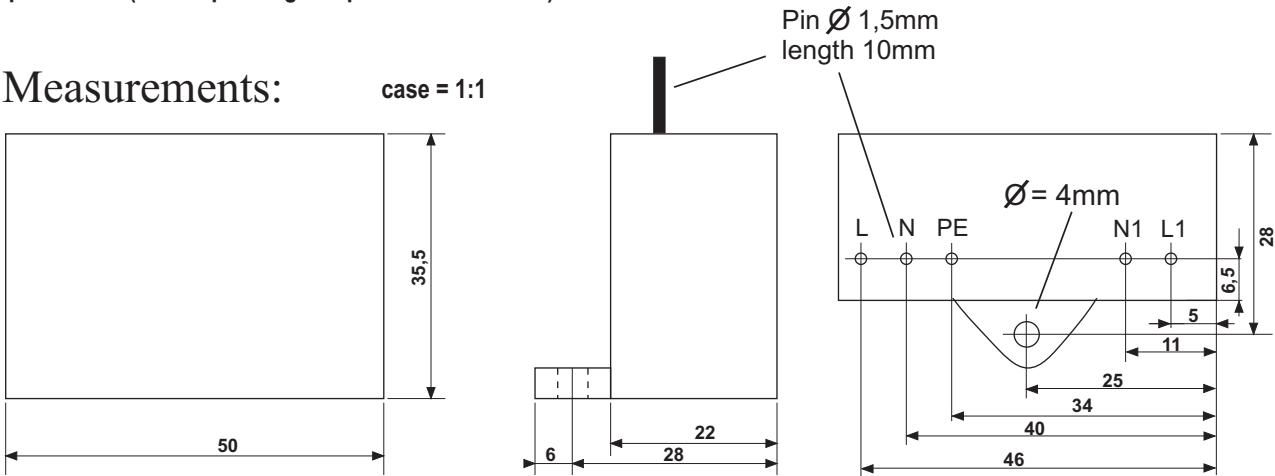
Vburst clamped depending on Source and Load-Impedace
 at lower levels : with load(burden) 100 W SMPS
 at higher levels: without any load (burden)

Ri/path ohms all items <0,15 ohms; weight <90g;

Ambient Temperature -55°Cup to Toper +110°C
 Icont. = 4 A at Ta up to + 85°C
 Ipeak = 6 A (max. operating Temp. to be considered)

Measurements:

case = 1:1



Alle Abmessungen in mm
 Toleranzen +/- 0,5mm