

BURST & SURGE - Hybrid - Filter

for industrial AC - Applications

0,8A - 1,8A I_{cont}.

To meet EN 50 082-2 / IEC 801-4 & 5 = 2kV Burst & 1kV Surge Protection

Function: to attenuates (dampen) interference to levels acceptable to the required DC-operation-voltage. With target to fulfill criterion A, of EN 50 082, which means the circuits connected behind the filter have to work properly during interference transitions.

Our AC - Filters have been undertaken tests acc. IEC 801-4/5 symetric and asymeric with alternating polarity to the inputs.

Generators: Burst with 5/50ns; Surge with 1,2µs / 50µs - 8/20µs

Filter specifications: black ABS housing, epoxy molded ; Protection Class fully isolated

Typ	Linevoltage	I _{cont}	I _{peak}	V _{burst}	V _{surge} ***
AC-BS2-150V-2A	150V	1,8A	2,5A	10-150V	< 850V
AC-BS2-280V-1A	280V	0,8A	2,5A	7- 80V	<1200V
AC-BS2-280V-2A	280V	1,8A	5,0A	10-150V	<1200V

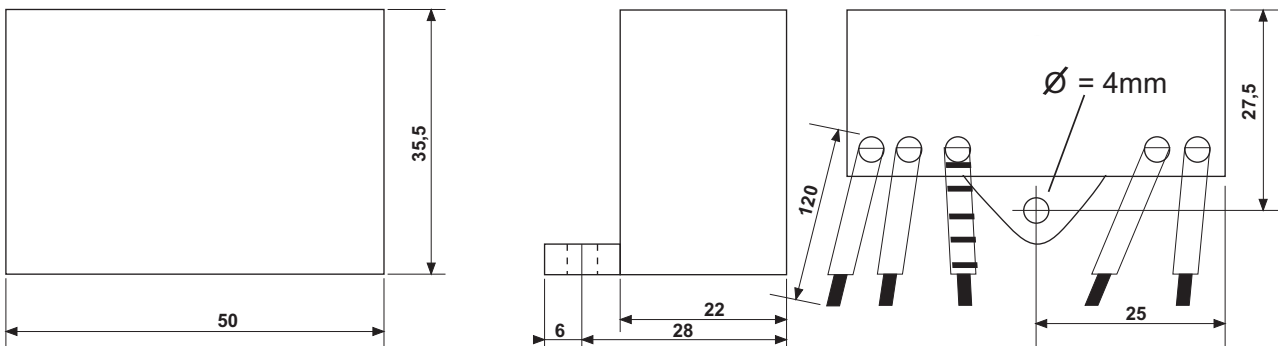
*** V_{surge} clamped, < 20µs for many applications well attenuated.
 for tougher requirements please call office

V_{burst} clamped depending on Source and Load-Impedace
 at lower levels : with load(burden) 100 W SMPS
 at higher levels: without any load (burden)

R_i/path ohms all items <0,15 ohms; weight <90g;
 connections: colored strained wire appr. L = 120mm, 1,25 qmm
 connection wires: red = " + " blue = " - " green/yellow = GND
 attention: Ground wire is operating GND

Ambient Temperature -55°C up to Toper +110°C
 I_{cont} = 1,8A at Ta up to + 85°C
 I_{peak} = 2,5A (max. operating Temp. to be considered)

Measurements: case = 1:1



Alle Abmessungen in mm
 Toleranzen +/- 0,5mm

Specification may be changed without notice
 please contact office for verification