

DC/DC Converter
AC/DC Inverters
Delay-Lines
Pulsetransformers
Burst & Surge Filters
Harmonic Filters
Switching Power Supplies

Am Malfinger Steig 13
86920 Denklingen/Obb.
Germany
Tel.: 08243-9693-0
Fax: 08243-9693-33
www.floeth-electronic.com



Stand:49/08

Unregulated
Case style: DIP24
Short circuit proof

INDUSTRIAL DC/DC Converters

3 Watt
Series: CFU

Electrical specifications:

Input voltage range: +/- 10% / @Uin=5V -5%/+10%
Output voltage accuracy: +/- 2% (Vin=nominal & full load)
+/- 5% (Uin<= 3,3V)
Line Vin/Vout: +/- 1% // +/- 1%
Output voltage change: 3,3V, 5V output types 15% max.
9V ~ 24V output types 10% max.
Efficiency: min. 70% (min. 60% @ Uin=3,3V)
Output ripple & noise: typ. 100mVp-p
max. 200mVp-p @ Uin=3,3V

Short circuit protection: continuous / autorestart
Ambient temperature: -40°C to +71°C
Operating temperature: max. +105°C
Insulation test voltage: standard 1000V DC
Case material: black polycarbonate
Optional:
Part-No. /3 metalcase (not for high insulation voltage)
Part-No. /2 4kV AC rms insulation test voltage**
Part-No. /7 3kV DC insulation test voltage**
Part-No. /5 External -IN & -OUT/COM connection allowed
Part-No. /9 Automotiv -55°C to +85°C
** only with /0 , /1 , /8 pin connection available

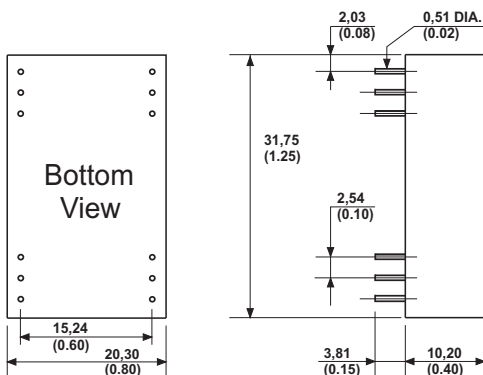
CAUTION: NO INPUT POLARITY CHANGE ALLOWED!

| Part - No. Single | Input Voltage | Output Voltage | Output Current | Part - No. Dual | Input Voltage | Output Voltage | Output Current |
|--|---------------|------------------------|----------------------------------|-------------------------------------|---------------|----------------------------|----------------------------------|
| CFU-03,301,6 CFU-03,306 | 3,3V | 1,6V 6,0V | 2000mA 400mA | | | | |
| CFU-0505 CFU-0509 CFU-0512 CFU-0515 | 5V | 5V 9V 12V 15V | 600mA 330mA 250mA 200mA | CFU-0505D CFU-0512D CFU-0515D | 5V | +/- 5V +/-12V +/-15V | +/-300mA +/-125mA +/-100mA |
| CFU-1205 CFU-1209 CFU-1212 CFU-1215 | 12V | 5V 9V 12V 15V | 600mA 330mA 250mA 200mA | CFU-1205D CFU-1212D CFU-1215D | 12V | +/- 5V +/-12V +/-15V | +/-300mA +/-125mA +/-100mA |
| CFU-2405 CFU-2412 CFU-2415 | 24V | 5V 12V 15V | 600mA 250mA 200mA | CFU-2405D CFU-2412D CFU-2415D | 24V | +/- 5V +/-12V +/-15V | +/-300mA +/-125mA +/-100mA |
| CFU-4805 CFU-4812 CFU-4815 | 48V | 5V 12V 15V | 600mA 250mA 200mA | CFU-4805D CFU-4812D CFU-4815D | 48V | +/- 5V +/-12V +/-15V | +/-300mA +/-125mA +/-100mA |

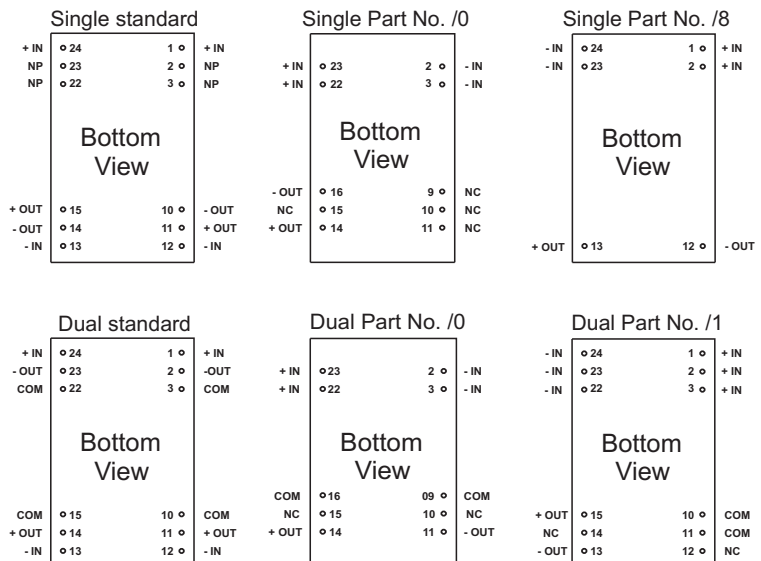
Any other output voltages available

PIN CONNECTION:

All pins on a 2,54mm pitch;
NP = No Pin, NC = No connection



ALL DIMENSIONS IN MM (INCHES)
MILLIMETERS +/- 0,25mm / INCHES +/- 0,01"



Specification may be changed without notice
please contact office for verification

We can offer EMC - Filter
according to EN55011/22 Class B.