

78 linear/post regulator
 Replacement
 Case Style: SIP 3

COMMERCIAL DC/DC Converters

Series: 78SD
 0,5 Ampere

none isolated Step Down / Buck - Converter

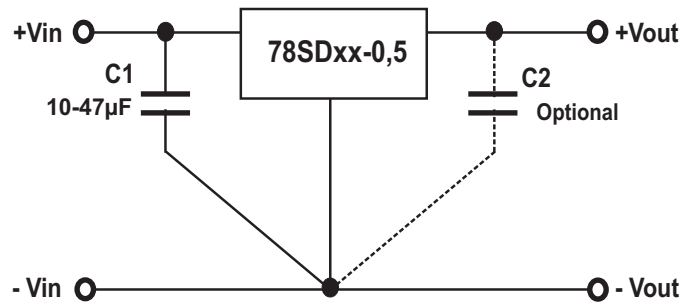
Electrical specifications:

Output voltage accuracy: $\pm 3\%$ max.
 Line Voltage regulation: 0,4% max.
 Load Voltage regulation: 0,6% max. (10% to 100% Load)
 Efficiency @ transfer: up to 96%

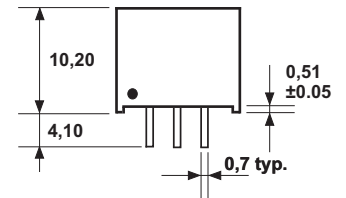
Output Ripple & Noise: typ. 40mVp-p
 Short circuit protection: Continuous
 Operating temperature /
 Case temperature (hot spot): -40°C to $+85^{\circ}\text{C}$ (not to be exceed)
 Input Capacitor is requested $\sim 22\mu\text{F}$

CAUTION: NO INPUT POLARITY CHANGE ALLOWED!

0,5 AMP		
Part-No.	Input Range (V)	Output Voltage (V)
78SD1,5-0,5	4,75 - 30	1,5
78SD1,8-0,5	4,75 - 30	1,8
78SD2,5-0,5	4,75 - 30	2,5
78SD3,3-0,5	4,75 - 30	3,3
78SD5,0-0,5	6,5 - 30	5,0
78SD6,5-0,5	9,0 - 30	6,5
78SD9,0-0,5	11 - 30	9,0
78SD12-0,5	15 - 30	12
78SD15-0,5	18 - 30	15
78SD20-0,5	24 - 30	20

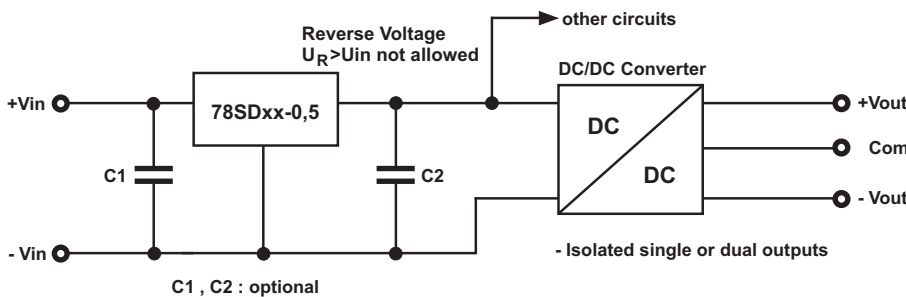


Package style and Pinning:

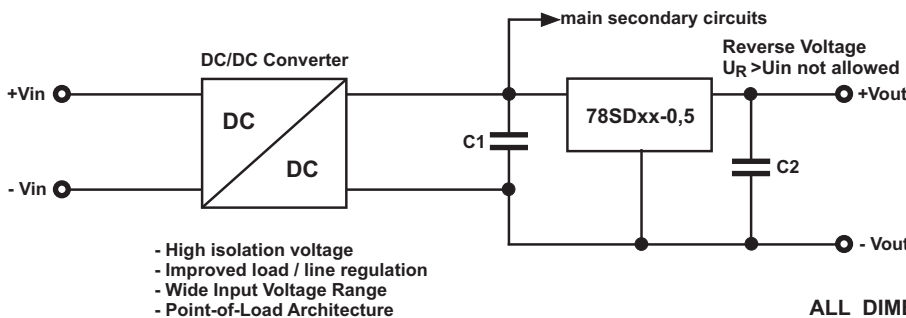


Any other output voltages on request

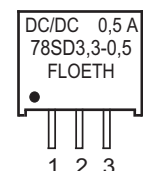
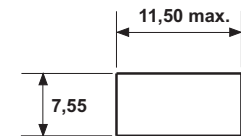
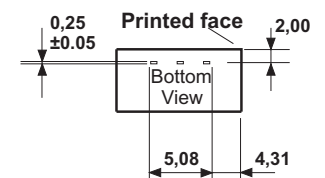
Application examples:



Isolated (up to 6kV), wide Input range regulated output



- High isolation voltage
- Improved load / line regulation
- Wide Input Voltage Range
- Point-of-Load Architecture



Pin Connection:

- 1 = +Vin
- 2 = GND
- 3 = +Vout

ALL DIMENSIONS IN MM
 Tolerance +/- 0,25mm
 All pins on a 2,54mm pitch NOTE: Dot denotes pin 1

Specification may be changed without notice
 please contact office for verification

We can offer EMC - Filter
 according to EN55011/22 Class B.

78 linear/post regulator
 Replacement
 Case Style: SIP 3

COMMERCIAL DC/DC Converters

Series: 78SD
 1,0 Ampere

none isolated Step Down / Buck - Converter

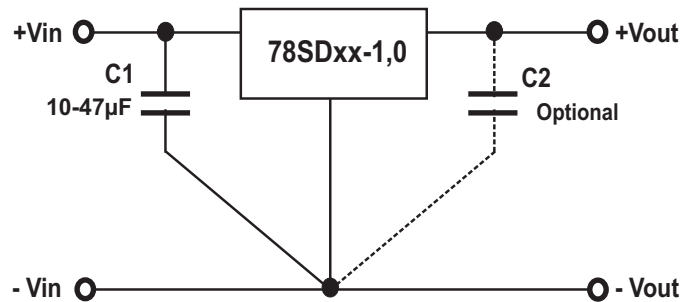
Electrical specifications:

Output voltage accuracy: +/- 3% max.
 Line Voltage regulation: 0,4% max.
 Load Voltage regulation: 0,6% max. (10% to 100% Load)
 Efficiency @ transfer: up to 96%

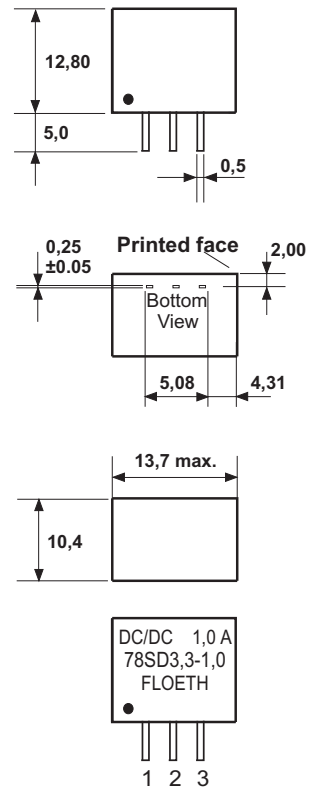
Output Ripple & Noise: typ. 40mVp-p
 Short circuit protection: Continuous
 Operating temperature /
 Case temperature (hot spot): -40°C to +85°C (not to be exceed)
 Input Capacitor is requested ~ 22µF

CAUTION: NO INPUT POLARITY CHANGE ALLOWED!

1,0 AMP		
Part-No.	Input Range (V)	Output Voltage (V)
78SD1,5-1,0	4,75 - 30	1,5
78SD1,8-1,0	4,75 - 30	1,8
78SD2,5-1,0	4,75 - 30	2,5
78SD3,3-1,0	4,75 - 30	3,3
78SD5,0-1,0	6,5 - 30	5,0
78SD6,5-1,0	9,0 - 30	6,5
78SD9,0-1,0	12 - 30	9,0
78SD12-1,0	16 - 30	12
78SD15-1,0	20 - 30	15
78SD20-1,0	24 - 30	20

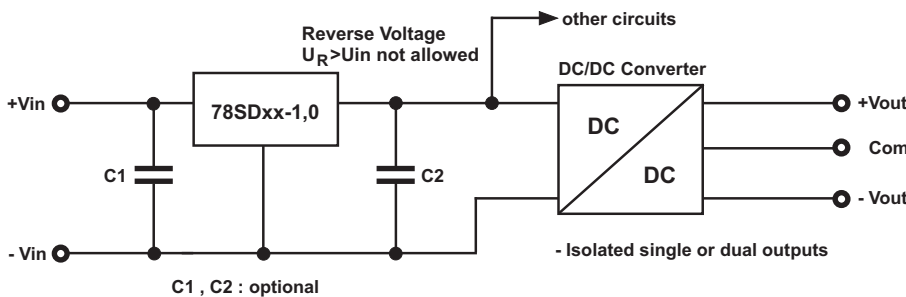


Package style and Pinning:

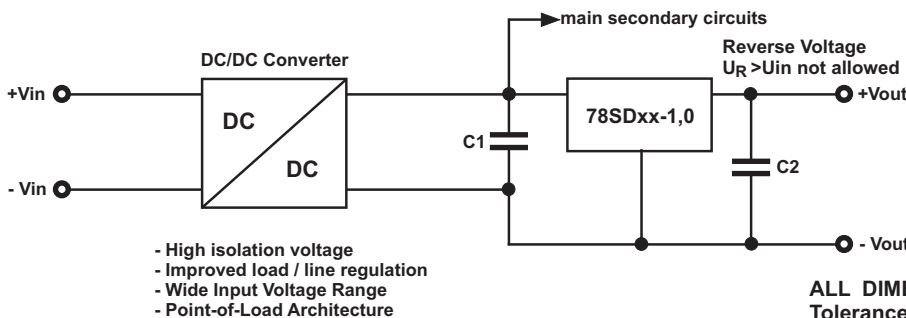


Any other output voltages on request

Application examples:



Isolated (up to 6kV), wide Input range regulated output



- High isolation voltage
- Improved load / line regulation
- Wide Input Voltage Range
- Point-of-Load Architecture

ALL DIMENSIONS IN MM
 Tolerance +/- 0,25mm
 All pins on a 2,54mm pitch

NOTE: Dot denotes pin 1

Specification may be changed without notice
 please contact office for verification

We can offer EMC - Filter
 according to EN55011/22 Class B.