

Stand: 29/09

3 Watt

Wide input range 1:2
Case style: DIP24

INDUSTRIAL DC/DC Converters

Series: **CFGW2/
CMGW2**

**Main Output PWM - regulated
& isolated against 2 nd Output**

base insulation

to various EN/UL/CSA-regulations for those converters voltage
on either input/output-voltage higher than 60VDC less than 120VDC

Electrical specifications:

Input voltage: wide 1:2
Output voltage accuracy: +/- 3%
Line regulation: +/- 0,2%
Load regulation: +/- 1%
Ambient temperature: -40°C to +71°C
Operating temperature: max. +105°C

Efficiency: min. 70%
Output Ripple: < 50mVp-p
Short circuit protection: fully protected
Insulation test voltage: I / O 1000V DC
O / O 1000V DC

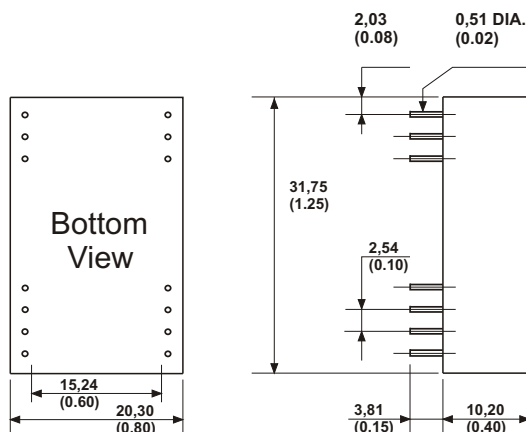
Part-No. /5 External -IN & -OUT / COM connection allowed
Case material: CFGW2 - polycarbonat / CMGW2 - metal

CAUTION: NO INPUT POLARITY CHANGE ALLOWED!

Part - No. Dual	Input Voltage DC	Output I		Output II	
		Voltage DC	Current	Voltage DC	Current
CFGW2-120505 CFGW2-120512 CFGW2-120515	9-18V*	5V	300mA	5V	300mA
			300mA	12V	125mA
			300mA	15V	100mA
CFGW2-240505 CFGW2-240512 CFGW2-240515	16-36V	5V	300mA	5V	300mA
			300mA	12V	125mA
			300mA	15V	100mA
CFGW2-480505 CFGW2-480512 CFGW2-480515	34-75V	5V	300mA	5V	300mA
			300mA	12V	125mA
			300mA	15V	100mA

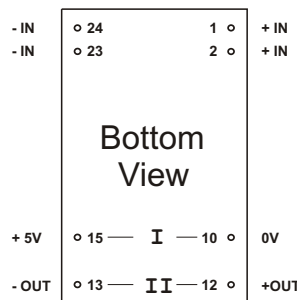
* Attention: Initial start-up requires U_{in} min. 10V, then U_{in} can drop down to min. 9V without leaving output tolerance.

Any other output voltages available

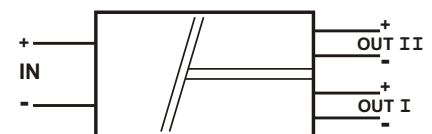


ALL DIMENSIONS IN MM (INCHES)
MILLIMETERS +/- 0,5mm
(INCHES +/- 0,02")
All pins on a 2,54mm pitch.

PIN CONNECTION:



Isolated-Dual-Output



**min. Load at Main \geq 110mA
to supply 2nd Output well**

output capacitor max.

5V = 47 μ F ; 5V = 10 μ F/16V Tantal
12V = 10 μ F/35V Tantal
15V = 10 μ F/35V Tantal

Specification may be changed without notice
please contact office for verification

We can offer EMC - Filter
according to EN55011/22 Class B.

INDUSTRIAL DC/DC Converters

3 Watt Plus
**Series: CFGW2/
 CMGW2**

Wide input range 1:2
Case style: DIP24
Main Output PWM - regulated
& isolated against Dual outputs

base insulation

to various EN/UL/CSA-regulations for those converters voltage on either input/output-voltage higher than 60VDC less than 120VDC

Electrical specifications:

Input voltage: wide 1:2
 Output voltage accuracy: +/- 2%
 Line regulation: +/- 0,2%
 Load regulation: +/- 1%
 Ambient temperature: -40°C to +71°C
 Operating temperature: max. +105°C

Efficiency: min. 70%
 Output Ripple: < 50mVp-p
 short circuit protection: fully protected
 Insulation test voltage: I / O 1000V DC
 O / O 1000V DC

Part-No. /5 External -IN & -OUT / COM connection allowed
 Case material: CFGW2 - polycarbonat / CMGW2 - metal

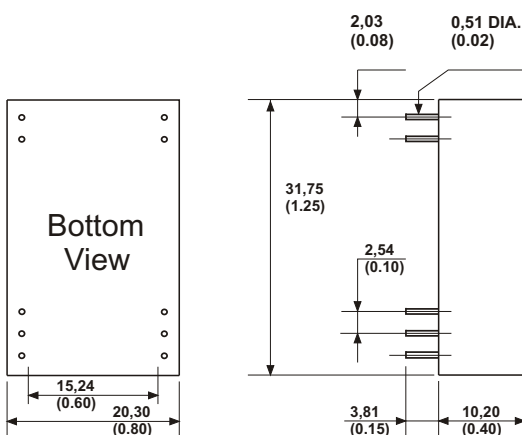
CAUTION: NO INPUT POLARITY CHANGE ALLOWED!

Main Output

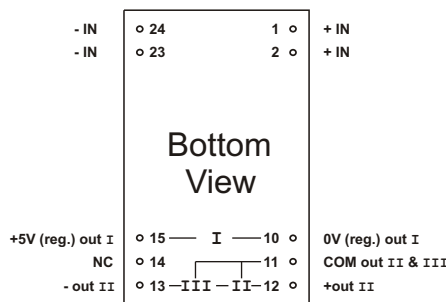
Part - No. Triple	Input Voltage DC	Output I		Output II & III	
		Voltage DC	Current	Voltage DC	Current
CFGW2-120505D CFGW2-120512D CFGW2-120515D	9-18V*	5V	300mA	+/- 5V	+/-150mA
		5V	300mA	+/-12V	+/- 62mA
		5V	300mA	+/-15V	+/- 50mA
CFGW2-240505D CFGW2-240512D CFGW2-240515D	16-36V	5V	300mA	+/- 5V	+/-150mA
		5V	300mA	+/-12V	+/- 62mA
		5V	300mA	+/-15V	+/- 50mA
CFGW2-480505D CFGW2-480512D CFGW2-480515D	34-75V	5V	300mA	+/- 5V	+/-150mA
		5V	300mA	+/-12V	+/- 62mA
		5V	300mA	+/-15V	+/- 50mA

* Attention: Initial start-up requires Uin min. 10V, then Uin can drop down to min. 9V without leaving output tolerance.

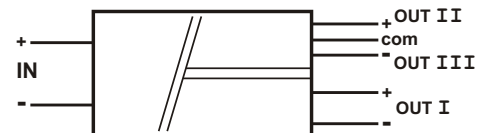
Any other output voltages available



PIN CONNECTION:



Isolated-Triple-Output



min. Load at Main ≥ 110mA to supply 2nd & 3rd Output well

ALL DIMENSIONS IN MM (INCHES)
 MILLIMETERS +/- 0,5mm
 ((INCHES +/- 0,02")
 All pins on a 2,54mm pitch.

output capacitor max.

5V = 47µF ; ± 5V = je 10µF/16V Tantal
 ± 12V = je 10µF/35V Tantal
 ± 15V = je 10µF/35V Tantal

Specification may be changed without notice please contact office for verification

We can offer EMC - Filter according to EN55011/22 Class B.