

DC/DC Converter  
 AC/DC Inverters  
 Delay-Lines  
 Pulsetransformers  
 Burst & Surge Filters  
 Harmonic Filters  
 Switching Power Supplies

Am Malfinger Steig 13  
 86920 Denklingen/Obb.  
 Germany  
 Tel.: 08243-9693-0  
 Fax: 08243-9693-33  
 www.floeth-electronic.com



Stand 20/08

Wide input range 1:2  
 Case style: DIP24

# INDUSTRIAL DC/DC Converters RCC / PWM - regulated

2 Watt  
 Series: CRW2 /HH

**EN50178**

**Electrical specifications:**

Input voltage accuracy: wide 1:2  
 Output voltage accuracy: +/- 3%  
 Line regulation: +/- 0,2%  
 Load regulation: +/- 1%  
 Ambient temperature: -40°C to +71°C  
 Operating temperature: max. 105°C

Short circuit protection: fully protected  
 Efficiency: min. 65%  
 Output Ripple & Noise: 50mVp-p  
 Case material: polycarbonate

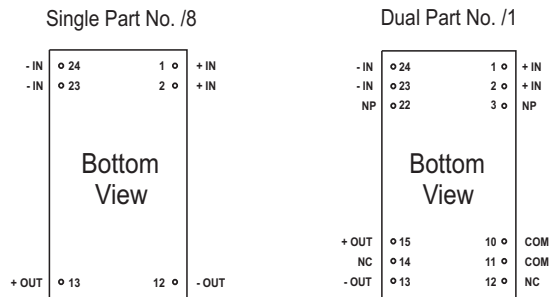
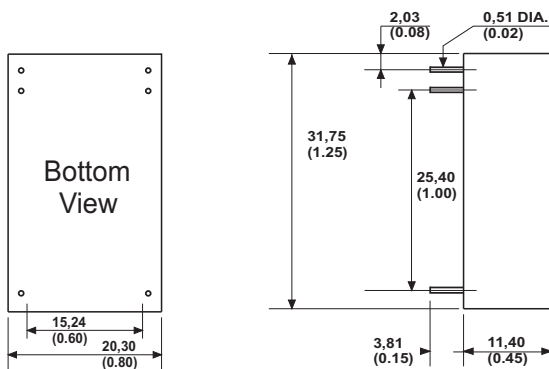
Part-Nr.: /HH - Basic Isolation EN50178  
 - 230V AC accidentally to INPUT will not crack Insulation  
 - 3kV DC Insulation test voltage > 10sec. / < 15sec.

**CAUTION NO INPUT POLARITY CHANGE ALLOWED!**

Part No. Single	Input Voltage DC	Output Voltage DC	Output Current	Part - No. Dual	Input Voltage DC	Output Voltage DC	Output Current
CRW2-0505/8/HH CRW2-0512/8/HH CRW2-0515/8/HH	4,5 - 5,5V	5V 12V 15V	400mA 166mA 132mA	CRW2-0505D/1/HH CRW2-0512D/1/HH CRW2-0515D/1/HH	4,5 - 5,5V	± 5V ±12V ±15V	±200mA ± 83mA ± 66mA
CRW2-1205/8/HH CRW2-1212/8/HH CRW2-1215/8/HH	9 - 18V	5V 12V 15V	400mA 166mA 132mA	CRW2-1205D/1/HH CRW2-1212D/1/HH CRW2-1215D/1/HH	9 - 18V	± 5V ±12V ±15V	±200mA ± 83mA ± 66mA
CRW2-2405/8/HH CRW2-2412/8/HH CRW2-2415/8/HH	16 - 36V	5V 12V 15V	400mA 166mA 132mA	CRW2-2405D/1/HH CRW2-2412D/1/HH CRW2-2415D/1/HH	16 - 36V	± 5V ±12V ±15V	±200mA ± 83mA ± 66mA

**Any other output voltages available**

**PIN CONNECTION:**



ALL DIMENSIONS IN MM  
 MILLIMETERS +/- 0,25mm  
 (INCHES +/- 0,01")  
 All pins on a 2,54mm pitch.  
 Note: NP = No pin. NC = No connection

Specification may be changed without notice  
 please contact office for verification

We can offer EMC - Filter  
 according to EN55011/22 Class B.

Wide input range 1:2  
 Case style: DIP24

# INDUSTRIAL DC/DC Converters RCC / PWM - regulated

Stand: 20/08

3 Watt  
 Series: CRW2  
 CRMW2

**Electrical specifications:**

Input voltage range: wide 1:2  
 $U_{in} = 5V \pm 10\%$   
 Output voltage accuracy:  $\pm 3\%$   
 Line regulation:  $\pm 0,2\%$   
 Load regulation:  $\pm 1\%$   
 Efficiency: min. 65%  
 Output Ripple & Noise: 50mVp-p

short circuit protection: fully protected  
 Ambient temperature:  $-40^{\circ}C$  to  $+71^{\circ}C$   
 Operating temperature: max.  $+105^{\circ}C$   
 Insulation test voltage: 1000V DC  
 Case material: polycarbonate  
 Part-Nr. /5 External -In & -OUT/COM connection allowed  
 Part-Nr. /7 1500V DC Isolation  
 CRMW2 Case material: metal

**CAUTION: NO INPUT POLARITY CHANGE ALLOWED!**

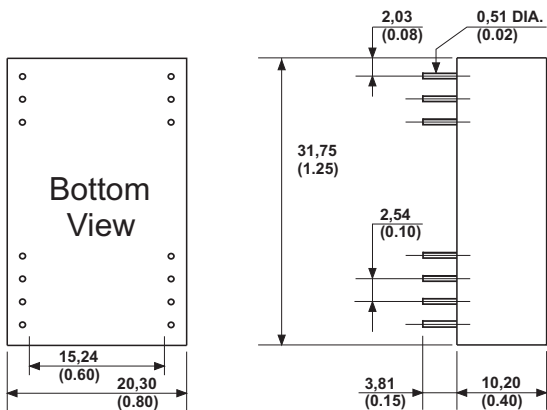
\* = startup single: 4,6V @ 600mA  
 4,5V @ 500mA

\* = startup dual: 4,6V @ +/- 300mA  
 4,5V @ +/- 240mA

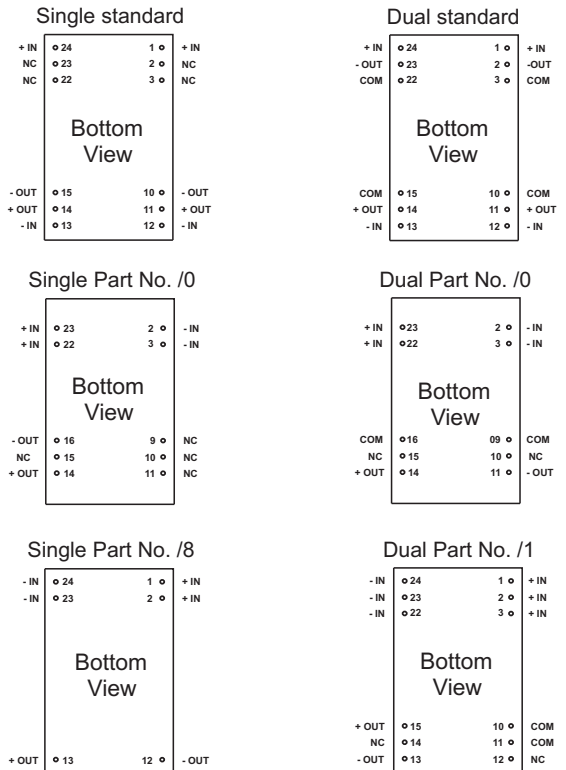
Part No. Single	Input Voltage DC	Output Voltage DC	Output Current	Part - No. Dual	Input Voltage DC	Output Voltage DC	Output Current
CRW2-0505 CRW2-0512 CRW2-0515	4,5 - 5,5V	5V 12V 15V	* 600mA 250mA 200mA	CRW2-0505D CRW2-0512D CRW2-0515D	4,5 - 5,5V	$\pm 5V$ $\pm 12V$ $\pm 15V$	* $\pm 300mA$ $\pm 125mA$ $\pm 100mA$
CRW2-1205 CRW2-1212 CRW2-1215	9 - 18V	5V 12V 15V	600mA 250mA 200mA	CRW2-1205D CRW2-1212D CRW2-1215D	9 - 18V	$\pm 5V$ $\pm 12V$ $\pm 15V$	$\pm 300mA$ $\pm 125mA$ $\pm 100mA$
CRW2-2405 CRW2-2412 CRW2-2415	16 - 36V	5V 12V 15V	600mA 250mA 200mA	CRW2-2405D CRW2-2412D CRW2-2415D	16 - 36V	$\pm 5V$ $\pm 12V$ $\pm 15V$	$\pm 300mA$ $\pm 125mA$ $\pm 100mA$

**Any other output voltages available**

**PIN CONNECTION:**



ALL DIMENSIONS IN MM  
 MILLIMETERS +/- 0,25mm  
 (INCHES +/- 0,01")  
 All pins on a 2,54mm pitch.  
 Note: NP = No pin. NC = No connection



Specification may be changed without notice  
 please contact office for verification

We can offer EMC - Filter  
 according to EN55011/22 Class B.