

**Regulated
 Case Style: SIP 7**

**INDUSTRIAL
 DC/DC Converters**

**1 Watt
 Series: FS7R**

Electrical specifications:

Input voltage range: - 5% / +10%
 Output voltage accuracy: +/- 5%
 Line regulation of Vin: +/- 0,5%
 Load regulation: +/- 1%
 (10% to 100% full load)
 Efficiency: min. 60%
 Insulation test voltage: 2000V DC
 Output Ripple & Noise: typ. 50mVp-p

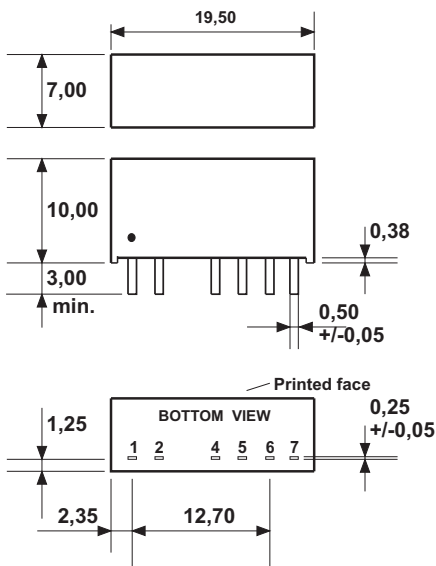
Short circuit protection: continuous
 Ambient temperature: -40°C to +71°C
 Switching frequency: 50kHz
 Optional:
 Part-Nr. /H: 3kV DC **
 Part-Nr. /5: 0,5W output power
 Part-Nr. /7: 0,75W output power
 Part-Nr. /9: -55°C to +85°C
 Ambient temperature
 only 0,5W version

CAUTION: NO INPUT POLARITY CHANGE ALLOWED!

Single Output			0,5 Watt	0,75 Watt	1 Watt
Part - No.	Input Voltage	Output Voltage	Output current	Output current	Output current
FS7R-0503,3	5V	3,3	152mA	227mA	303mA
FS7R-0505		5	100mA	150mA	200mA
FS7R-0512		12	42mA	63mA	83mA
FS7R-0515		15	33mA	50mA	67mA
FS7R-1203,3	12V	3,3	152mA	227mA	303mA
FS7R-1205		5	100mA	150mA	200mA
FS7R-1212		12	42mA	63mA	83mA
FS7R-1215		15	33mA	50mA	67mA
FS7R-1503,3	15V	3,3	152mA	227mA	303mA
FS7R-1505		5	100mA	150mA	200mA
FS7R-1512		12	42mA	63mA	83mA
FS7R-1515		15	33mA	50mA	67mA
FS7R-2403,3	24V	3,3	152mA	227mA	303mA
FS7R-2405		5	100mA	150mA	200mA
FS7R-2412		12	42mA	63mA	83mA
FS7R-2415		15	33mA	50mA	67mA

Any other output voltages available

**** Part-Nr.: /H**

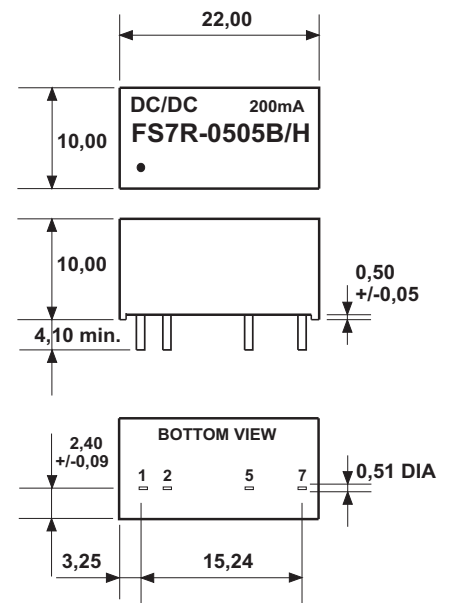


PIN CONNECTION		
PIN	SINGLE	SINGLE B*
1	VCC	VCC
2	GND	GND
3	NP	NP
4	-Vout	NP
5	NP	-Vout
6	+Vout	NP
7	NP	+Vout

* For other pinning add "B" to the end of partnumber: FS7R-0505B 1W

ALL DIMENSIONS IN MM
 MILLIMETERS +/- 0,25mm
 All pins on a 2,54mm pitch
 NC = No connection; NP = No pin
 Note: Dot denotes pin 1

Input capacitor 4,7µF - 10µF is a must.



Specification may be changed without notice
 please contact office for verification

We can offer EMC - Filter
 according to EN55011/22 Class B.

Regulated
 Case Style: SIP 7

INDUSTRIAL DC/DC Converters

2 Watt
 Series: FS7R

Electrical specifications:

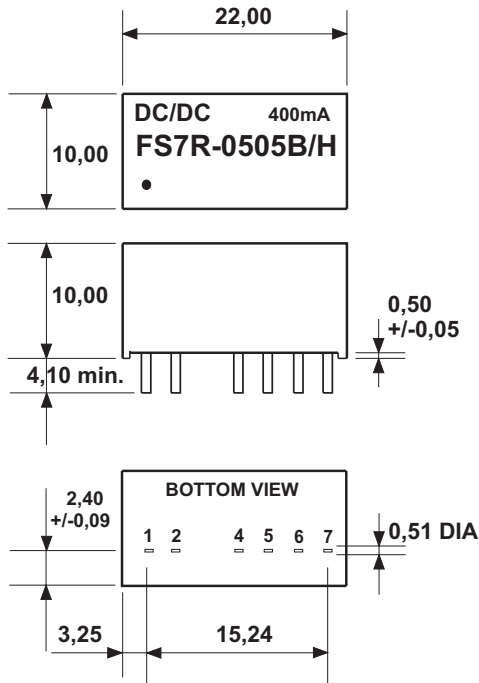
Input voltage range: - 5% / +10%
 Output voltage accuracy: +/- 5%
 Line regulation of Vin: +/- 0,5%
 Load regulation: +/- 1%
 (10% to 100% full load)
 Efficiency: min. 60%
 Output Ripple & Noise: typ. 50mVp-p

Insulation test voltage: 2000V DC
 optional Part-Nr. /H: 3000V DC
 Short circuit protection: continuous
 Switching frequency: 50kHz
 Ambient temperature: -40°C to +60°C
 derating above Ta +60°C: 2%/°C

CAUTION: NO INPUT POLARITY CHANGE ALLOWED!

Single Output				2 Watt			
Part - No.	Input Voltage	Output Voltage	Output current	Part - No.	Input Voltage	Output Voltage	Output current
FS7R-0503,3	5V	3,3	606mA	FS7R-1503,3	15V	3,3	606mA
FS7R-0505		5	400mA	FS7R-1505		5	400mA
FS7R-0512		12	166mA	FS7R-1512		12	166mA
FS7R-0515		15	133mA	FS7R-1515		15	133mA
FS7R-1203,3	12V	3,3	606mA	FS7R-2403,3	24V	3,3	606mA
FS7R-1205		5	400mA	FS7R-2405		5	400mA
FS7R-1212		12	166mA	FS7R-2412		12	166mA
FS7R-1215		15	133mA	FS7R-2415		15	133mA

Any other output voltages available



PIN CONNECTION		
PIN	SINGLE	SINGLE B*
1	VCC	VCC
2	GND	GND
3	NP	NP
4	-Vout	NP
5	NP	-Vout
6	+Vout	NP
7	NP	+Vout

* For other pinning add "B" to the end of partnumber: FS7R-0505B 1W

ALL DIMENSIONS IN MM
 MILLIMETERS +/- 0,25mm
 All pins on a 2,54mm pitch
 NC = No connection; NP = No pin
 Note: Dot denotes pin 1

Input capacitor 4,7µF - 10µF is a must.

Specification may be changed without notice
 please contact office for verification

We can offer EMC - Filter
 according to EN55011/22 Class B.

Regulated
 Case Style: SIP 7

INDUSTRIAL DC/DC Converters SHORT CIRCUIT PROOF

1 Watt
 Series: FS7R

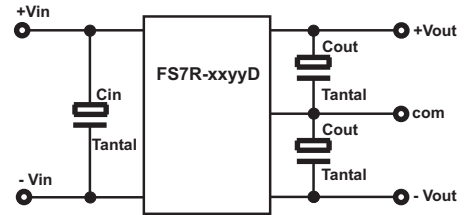
Electrical specifications:

Input voltage range: +/- 10%
 U_{in} = 5V : - 5% / +10%
 Output voltage accuracy: +/- 5%
 Line regulation of Vin: +/- 0,5%
 Load regulation: +/- 1%
 (10% to 100% full load)
 Ambient temperature: - 40°C to + 71°C
 Operating temperature max.: + 95°C

Short circuit protection: continuous
 Switching frequency: 40kHz
 Insulation test voltage: 1000V DC
 Output Ripple & Noise: typ. 50mVp-p
 Efficiency: min. 58%

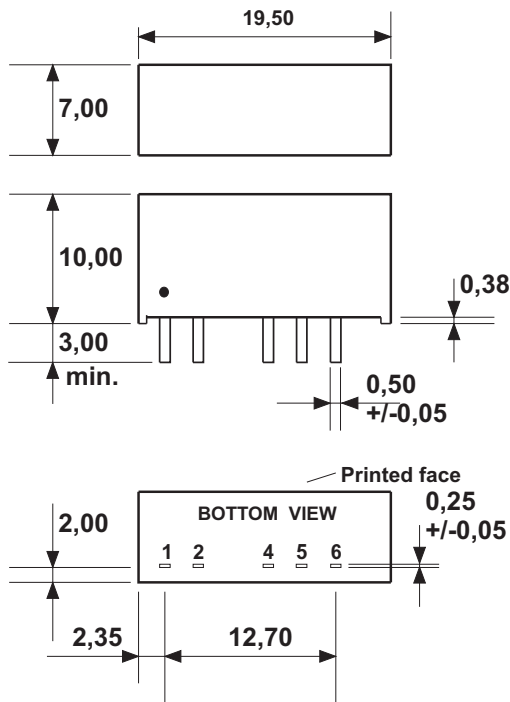
CAUTION NO INPUT POLARITY CHANGE ALLOWED!

Part - No.	Input Voltage	Output Voltage	Output current
FS7R-0505D FS7R-0512D FS7R-0515D	5V	+/- 5V +/- 12V +/- 15V	+/-100mA +/- 42mA +/- 33mA
FS7R-1205D FS7R-1212D FS7R-1215D	12V	+/- 5V +/- 12V +/- 15V	+/-100mA +/- 42mA +/- 33mA
FS7R-2405D FS7R-2412D FS7R-2415D	24V	+/- 5V +/- 12V +/- 15V	+/-100mA +/- 42mA +/- 33mA



Input Voltage	Capacitance is a must	
	Cin	Cout
5V	4,7 - 10µF	4,7µF/35V
24V	4,7µF/50V	10µF/35V

Any other output voltages available



PIN CONNECTION	
PIN	DUAL
1	VCC
2	GND
3	NP
4	-Vout
5	COM
6	+Vout
7	NP

ALL DIMENSIONS IN MM
 MILLIMETERS +/- 0,25mm
 All pins on a 2,54mm pitch
 NC = No connection; NP = No pin
 Note: Dot denotes pin 1

Specification may be changed without notice
 please contact office for verification

We can offer EMC - Filter
 according to EN55011/22 Class B.