

Regulated
 Case style: DIP 16

COMMERCIAL DC/DC Converters

2 Watt
 Series: AW2

Electrical specifications:

Input voltage range: wide 2 : 1
 Output voltage accuracy: $\pm 2\%$ typ.
 Line Voltage regulation: $\pm 0,5\%$ max.
 Load Voltage regulation: $\pm 0,5\%$ typ.
 (20% to 100% full load)
 Efficiency: 70% min./ 80% typ.

Output Ripple & Noise: max. 50mVp-p continuous
 Short circuit protection: -40°C to +85°C
 Operating temperature: min. 1500V DC
 Isolation voltage: min. 2000V DC
 optional Part-Nr.: /H2 min. 3000V DC
 /H3 SMD package
 /SMD

** Note: Measured @25°C with the condition of Vin = nominal and full load

CAUTION: NO INPUT POLARITY CHANGE ALLOWED!

2Watt				2Watt			
Part - No. single output	Input Voltage	Output Voltage	Output Current	Part - No. dual output	Input Voltage	Output Voltage	Output Current
AW2-xx03,3	5V (4,5-9V)	3,3V	500mA	AW2-xx05D	5V (4,5-9V)	+/- 5V	+/-200mA
AW2-xx05	12V (9-18V)	5V	400mA	AW2-xx09D	12V (9-18V)	+/- 9V	+/-111mA
AW2-xx09	24V (18-36V)	9V	222mA	AW2-xx12D	24V (18-36V)	+/- 12V	+/- 83mA
AW2-xx12	48V (36-72V)	12V	166mA	AW2-xx15D	48V (36-72V)	+/- 15V	+/- 67mA
AW2-xx15		15V	134mA				

Any other output voltages available

ALL DIMENSIONS IN MM
 MILLIMETERS +/- 0,35mm
 All pins on a 2,54mm pitch.

Unit : mm
 Tolerance : $\pm 0,35$ mm

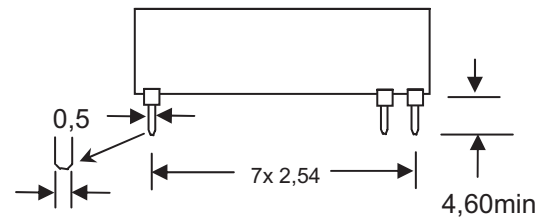
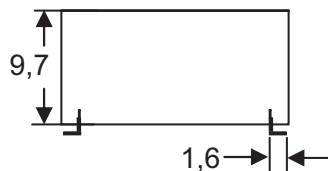
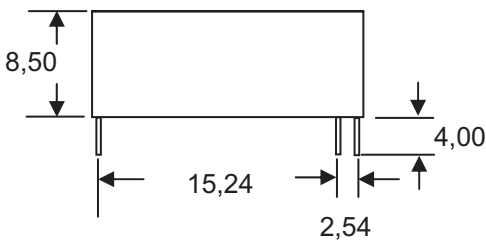
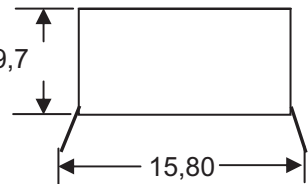
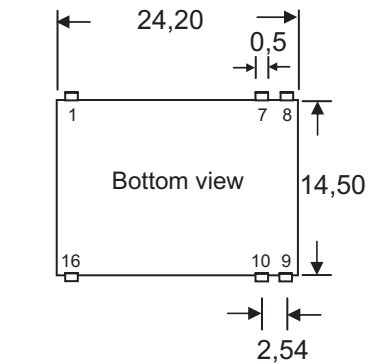
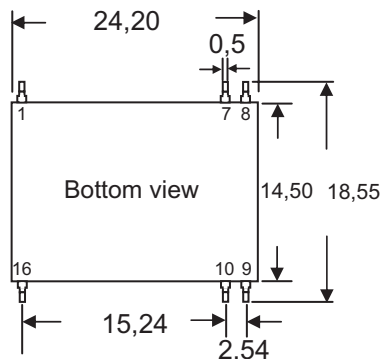
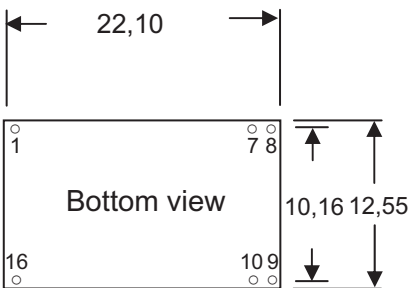
Note: Dot denotes pin 1

16 PIN DIP B Package
 (only standart option)

PIN CONNECTIONS		
PIN	SINGLE OUTPUT	DUAL OUTPUT
1	-Vin(GND)	-Vin(GND)
7	NC	NC
8	NC	Com
9	+Vout	+Vout
10	-Vout	-Vout
16	+Vin	+Vin

16 PIN DIP SMD Package

16 PIN DIP A Package



Specification may be changed without notice
 please contact office for verification

We can offer EMC - Filter
 according to EN55011/22 Class B.